

# ISP360

## HIGH PERFORMANCE PROFILING SONAR



### FEATURES & BENEFITS

- > **80 METER RANGE**  
Long range profiling.
- > **4,000M DEPTH RATING**  
Ideal for shallow and deep water.
- > **PITCH & ROLL\***  
Provides Pitch and Roll to 0.2° accuracy.
- > **SMALL FORM FACTOR**  
Highly compact high resolution profiling sonar.
- > **NO SLIP RINGS**  
No components to wear.
- > **IMAGING & PROFILING**  
Imaging and Profiling modes of operation.

Impact Subsea are proud to present the high resolution profiling sonar - the ISP360.

Optionally available with integrated Pitch & Roll.

Utilising a broadband composite transducer coupled with IS<sup>3</sup> Impact Subsea Signalling Scheme enables a significant increase in range resolution while maintaining excellent accuracy and range capability.

For applications where Sonar Profiling, Pitch & Roll are required; all can be provided from a single device.

The IS<sup>3</sup> Impact Subsea Signalling Scheme also allows multiple profilers to run without the need to 'ping-sync', enabling an increase in profiling speed.

Provided in a highly robust Titanium housing. Alternative configurations are available upon request.



### APPLICATIONS INCLUDE:

Pipeline Profiling | Trench Profiling | Positioning of a Vehicle in a Tank |  
Internal Pipe and Tank Profiling | Asset Positioning | Bridge Foundation Survey |

\*Optional





# ISP360

## HIGH PERFORMANCE PROFILING SONAR

### ACOUSTIC

Frequency	650kHz to 1.25MHz Bandwidth
Range (650kHz)	0.30 to 80 meters
Range (1.25MHz)	0.30 to 40 meters
Timing Accuracy	0.35 mm (minimum)
Beam Angle	2° Conical at 650kHz 1° Conical at 1.25MHz
Signalling Selectable	CW, CHIRP & IS <sup>3</sup>
Step Size Selectable	0.225°, 0.45°, 0.9°, 1.8°, 3.6° & 7.2°
Scan Angle	360° Continuous or Sector Scan

### ATTITUDE\*

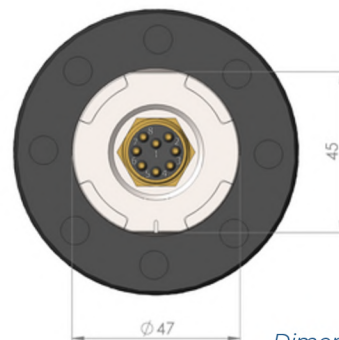
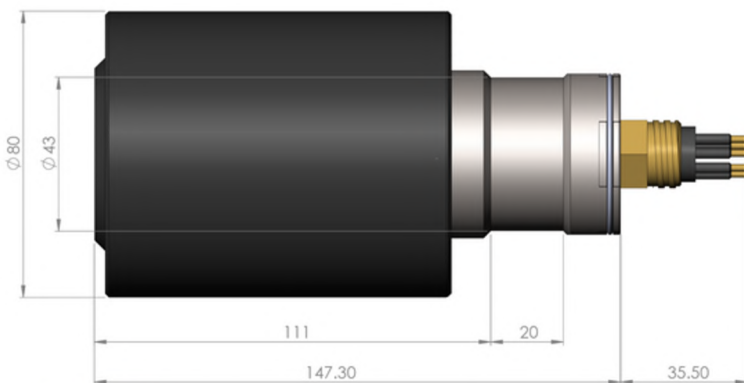
Pitch	± 90°
Roll	± 180°
Accuracy	0.2°
Resolution	0.1°

### COMMS & POWER

Digital	RS232, RS485 & Ethernet
Protocol	9600 to 115,200 baud
Input Voltage	12 to 65V DC
Power Standby	260mA @ 24V DC
Power Scanning <sup>1</sup>	380mA @ 24V DC

### PHYSICAL

Depth Rating	4,000m
Temperature	-10 to 40°C Operating -20 to 60°C Storage
Connector	Subconn MCBH8M-SS Other options available
Weight Air/Fresh water	0.88/0.31kg



Dimensions given in mm.

\*Optional

<sup>1</sup> Based on maximum power level and scanning speed.