

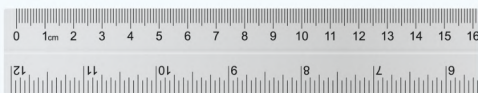
# ISD4000

## UNDERWATER DEPTH & TEMPERATURE SENSOR



### FEATURES & BENEFITS

- > **±0.01% FS ACCURACY**  
Optional 0.005% FS\*  
Survey Grade Pressure Accuracy.
- > **±0.1°C ACCURACY**  
Optional 0.05°C\*  
Survey Grade Temperature Accuracy.
- > **INTEGRATED AHRS\***  
Provides Magnetic Heading to ±1°  
Pitch and Roll to 0.2° accuracy.
- > **MAINTENANCE FREE**  
Non-block pressure port.
- > **TITANIUM OR ACETAL HOUSING**  
Robust and long lasting.
- > **EMULATE ANY DEVICE**  
Direct replacement of existing equipment.



Impact Subsea are proud to present the ground breaking ISD4000 family of depth sensors.

Compact, lightweight and highly robust, the ISD4000 is ideal for ROV, AUV and other underwater Depth and Temperature measurement applications with optional integrated Attitude and Heading Reference System (AHRS).

The ISD4000 utilises the latest in sensing technology to provide a Depth accuracy of 0.01% FS and optionally to ± 0.005% FS. Temperature accuracy to 0.1°C and optionally available to 0.05°C accuracy.

With an optional integrated AHRS, the ISD4000 provides a clear understanding of the position of the sensor at all times - ideal for asset deployment monitoring.

Provided in a highly robust Titanium or Black Acetal housing. The sensor can be provided without the AHRS. Alternative OEM configurations are available upon request.

### APPLICATIONS INCLUDE:

Pipeline Surveys | Real Time Depth | Motion Reference | Asset Deployment |  
Echosounder Surveys | ROV & AUV Depth Sensor | Temperature Measurement |

\*Optional



## UNDERWATER DEPTH & TEMPERATURE SENSOR



### DEPTH

Accuracy <sup>1</sup>	± 0.01% Full Scale
Resolution	0.001% Full Scale
Pressure Range	10, 30, 50, 100, 300, 400 or 600 Bar
Type	Temperature Compensated Piezo-Resistive

### TEMPERATURE

Accuracy <sup>2</sup>	0.1°C
Resolution	0.001°C

### COMMS & POWER

Digital	RS232, RS485
Protocol	4800 to 115,200 baud
Data	Continuous or On Demand
Data Rate	Up to 100Hz
Input Voltage	7 to 32V DC
Power	32mA @ 24V DC

**\*Optional**

<sup>1</sup> Upgrade available to ± 0.005% FS

<sup>2</sup> Upgrade available to ± 0.05°C

### PHYSICAL

Depth Rating	6,000m (Titanium) 500m (Acetal)
Temperature	-5 to 35°C Calibrated -10 to 60°C Operation -20 to 70°C Storage
Connector	Subconn MCBH8M-SS <i>Other options available</i>
Weight	0.42/0.28kg (Titanium) 0.20/0.10kg (Acetal)

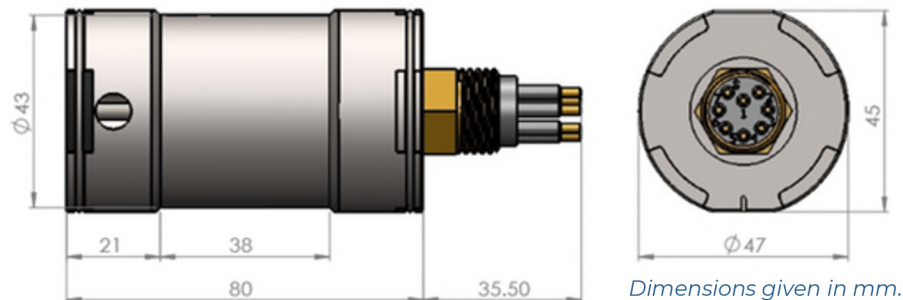
### ATTITUDE\*

Pitch	± 90°
Roll	± 180°
Accuracy	0.2°
Resolution	0.1°

### HEADING\*

Accuracy	± 1°
Resolution	0.1°

*Heading provided to Magnetic North*



*Dimensions given in mm.*